

Multimix Inline Vacuum High Shear Mixer

Vacuum Inline HSM is specially designed to disperse solid powder mainly gum such as CMC, carbopol & carbomel as well as to emulsify oil phase & water phase.

The main advantages are:

- Disperse gums in seconds without 'Fish Eyes'
- Obtain fine emulsion (1 to 2 microns) within 5 minutes
- Elimination of 'bubbles' within 5 to 10 minutes
- Flexible mixing capacity from 10 liters up to 2,000 liters
- Increase production batch
- Outstanding stability and homogeneous
- Improve quality finishing
- Reduce capital cost investment

Specification

Model	Capacity	High Speed Disperser		Anchor Paddle Mixer		Inline High Shear Mixer	
		hp	rpm	hp	rpm	hp	rpm
VM50	50	3	0-1500	1	0-50	2	3000
VM100	100	5	0-1500	2	0-50	5	3000
VM200	200	5	0-1500	3	0-50	10	3000
VM300	300	7.5	0-1500	3	0-50	10	3000
VM500	500	10	0-1500	5	0-50	10	3000
VM1000	1000	15	0-1500	7.5	0-50	25	3000
VM2000	2000	20	0-1500	10	0-50	25	3000

Optional Attachments

- Inline High Shear Mixer / SLIS
- Complete Oil & Water Jacketed Heated Vessel with Agitator /
- Stainless Steel Platform
- Powder Transferring System
- Weighting System
- PLC Control System
- Vacuum System





Vacuum Mixer Inline



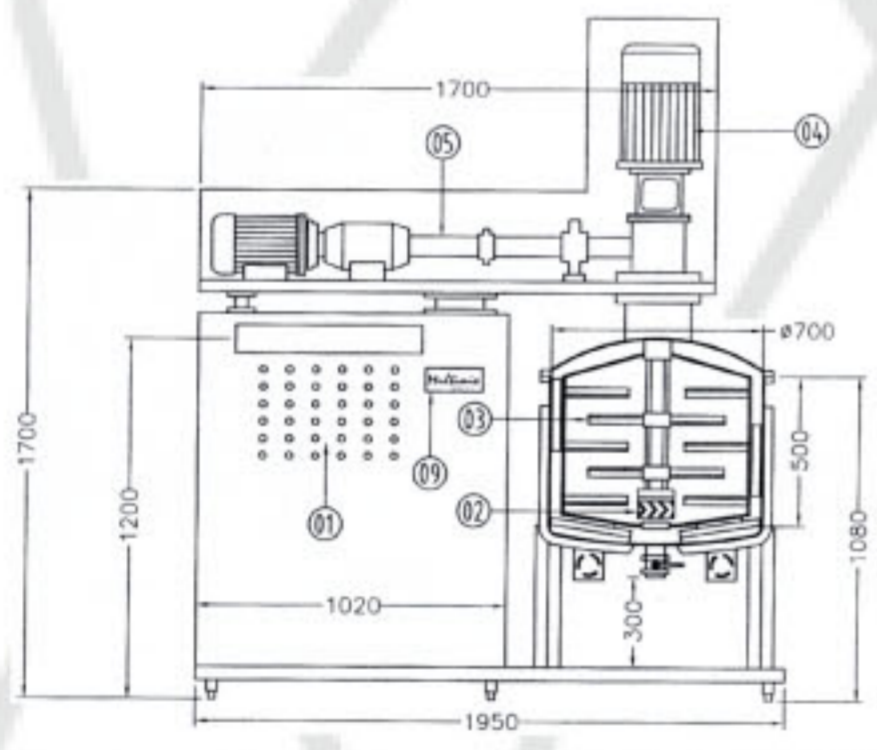
VM 50



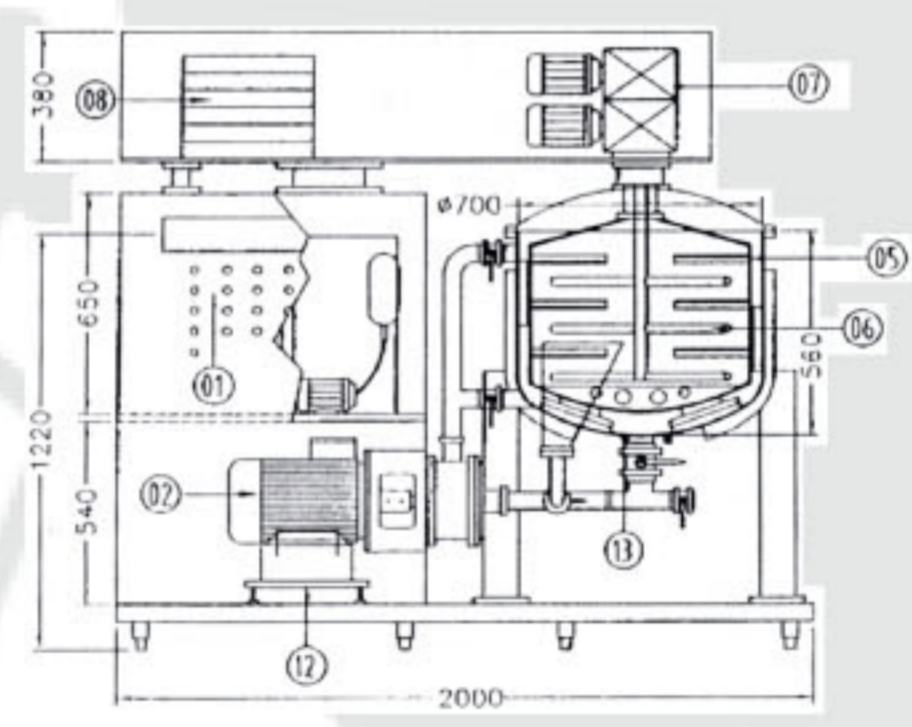
Toothpaste



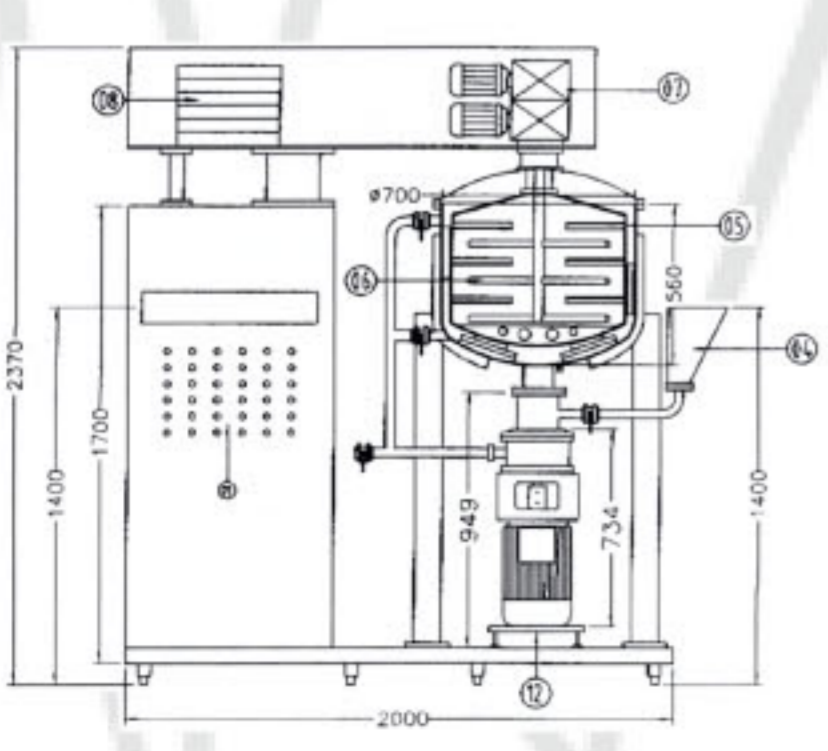
Cream



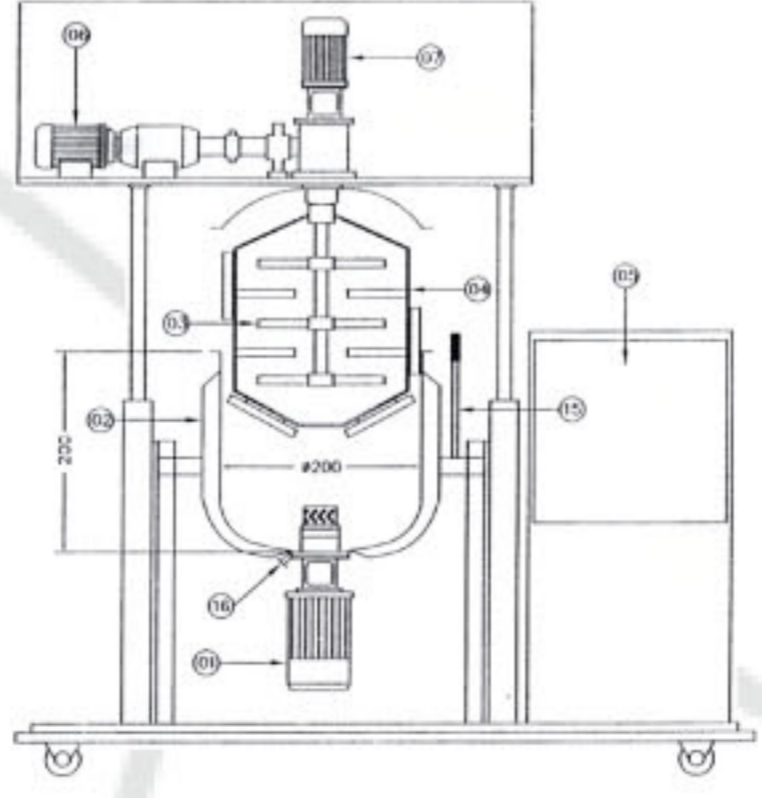
Anchor Paddle with Batch HSM



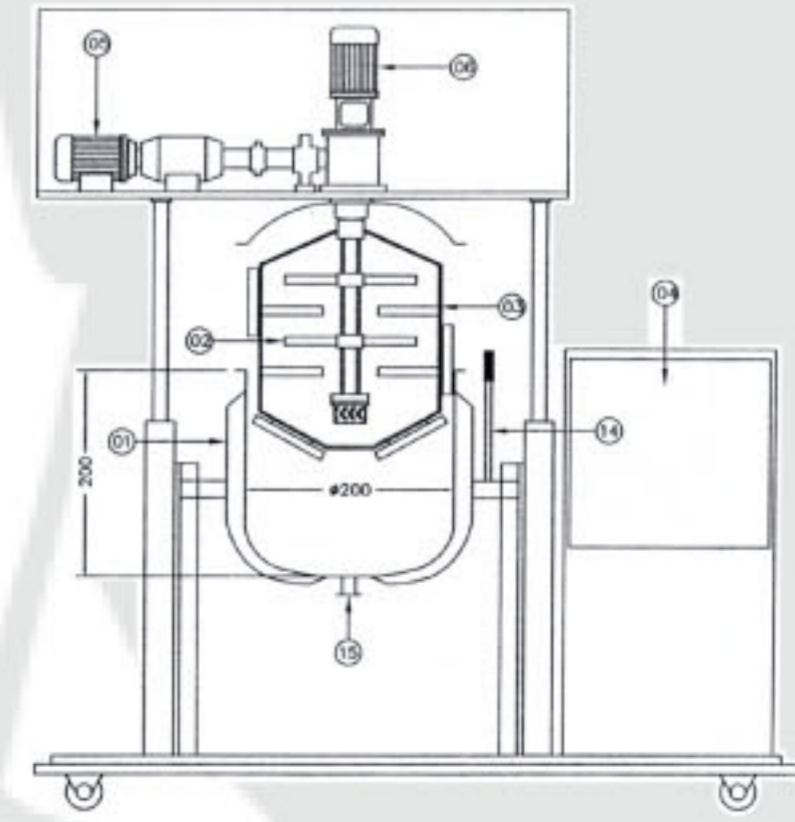
Anchor Paddle with Inline HSM



Anchor Paddle with Bottom Inline HSM



Anchor Paddle with Bottom HSM



Anchor Paddle with Bottom Batch HSM